



Technisches Datenblatt

EOS BlackRock

Sauna heater for commercial saunas. Floor-standing model.

High-performance sauna heater for the Finnish (dry) sauna. The BlackRock features puristic high-contrast design and durable construction made of stainless steel. The uniform appearance on all sides makes it ideal for installations in front of glass panels or in the centre of the sauna.

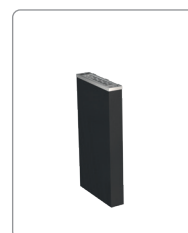
Thanks to an optional vaporizer, BlackRock can also be used as Bi-O version for humid sauna operation.

Your advantages:

- Contemporary cubism-style design.
- Reinforced stainless steel construction, with extra large side channels for stable air convection.
- Uniform appearance on all sides - great for installation in front of glass or in the centre (cable feeds on the bottom).
- Available either in anthracite pearl effect or in the „Black Line Edition“ with all sides and top with stylish matt black finish.
- 3 kW vaporizer optionally available - for humid sauna operation. Retrofitting possible on site.
- Wooden guard rail optionally available.
- Made in Germany quality from EOS.

Specifications:

Outer shell:	Stainless steel, side panels with anthracite finish or matt black finish
Cover / Rock store:	Polished stainless steel
Terminal box:	Stainless steel, built-in inside heater
Power range:	12.0, 15.0 and 18.0 kW
Power supply:	400 V 3N AC 50 Hz
Rock store volume:	approx. 40 kg (Stones optionally available)
Dimensions (HxWxD):	83 x 55,5 x 55,5 cm
Installation:	Floor-standing model



3 kW vaporizer optionally available (retrofitting possible on site)



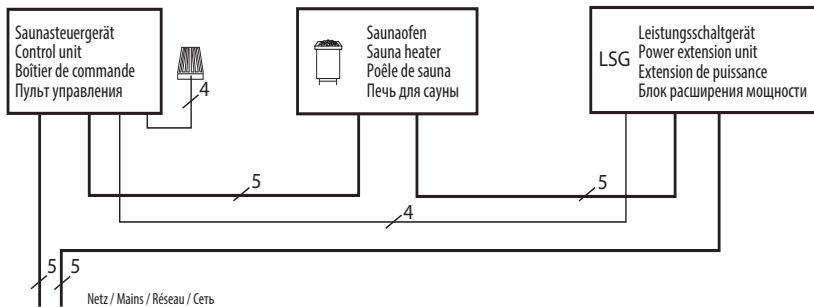
Example: EOS BlackRock anthracite with vaporizer



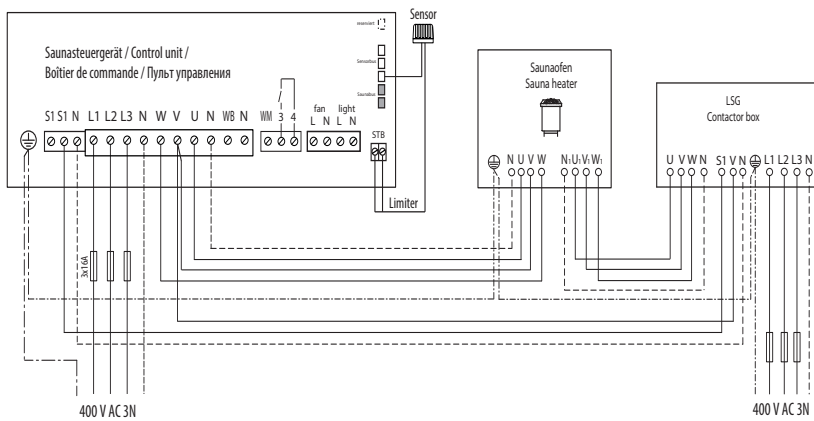
Example: EOS BlackRock „Black Line“ with vaporizer and optional guard rail

EAC CE IPx4 MADE IN GERMANY 

Connection overview



Connection example



Connection example for the EOS EmoTec D / EmoStyle D / EmoTouch 3 sauna control units. EmoTec L09R relay box for power extension is required.

Accessories

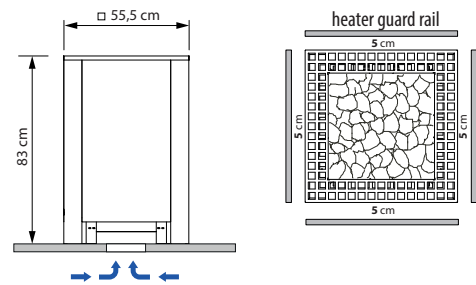
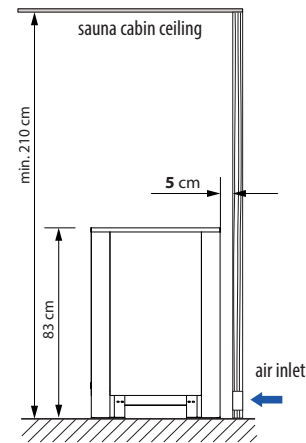
Description	Item no.
Mounting brackets for guard rail, anthracite / black	94.7309 / 94.7315
Wooden guard rail with mounting brackets, anthracite / black	94.7310 / 94.7316
Vaporizer 3,0 kW, anthracite / black	94.7230 / 94.7324
Brackets for vaporizer guard rail, anthracite / black	94.7322 / 94.7325
Vaporizer guard rail with mounting brackets, anthracite / black	94.7323 / 94.7326

Technical specifications

Item no.	Power output	Electrical connection	Fuse protection control unit	Fuse protection LSG unit	Dimensions H/W/D, in cm	For sauna cabin size	Min. size air inlet and outlet	Weight without rocks	Stone filling	Power extension required
94.7140 / 7312*	12,0 kW	400 V 3N AC 50 Hz	3 x 16 A	3 x 16 A	83 / 55,5 / 55,5	14-18 m ³	35 x 7 cm	40 kg	40 kg	EmoTec L09 R
94.7141 / 7313*	15,0 kW					18-25 m ³	35 x 9 cm			
94.7142 / 7314*	18,0 kW					24-30 m ³	35 x 11 cm			

*matt black finish

Minimum clearances



! By installations in the middle of the sauna or in front of a glass wall, make sure to provide a sufficient air supply through an underfloor channel!

Suitable control units

Model	Item no.
EOS Econ D2	94.6138
EOS Econ D3	94.6140
EOS Econ D4	94.5842
EOS EmoTec D series	
EOS EmoStyle D / Hi series	
EOS EmoTouch 3 series	